

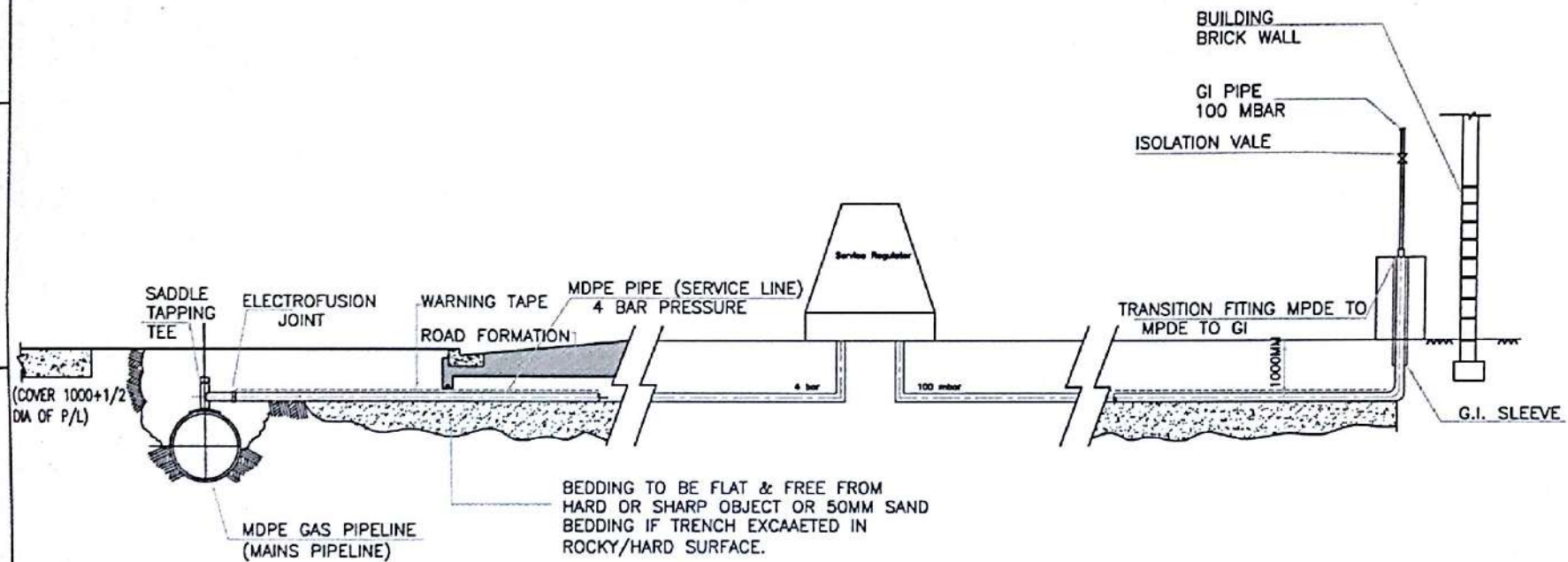
LEGENDS

- UNDER GROUND LINE
- ABOVE GROUND LINE
- ⊗ ISOLATION BALL VALVE
- ◻ REDUCER/DIPNDER
- ⊗ REGULATOR

Drawing No. |

Schematic Diagram for Domestic PNG connection in Multistoried Housing Connection





GENERAL NOTES

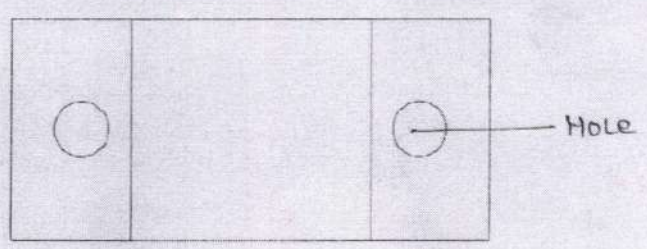
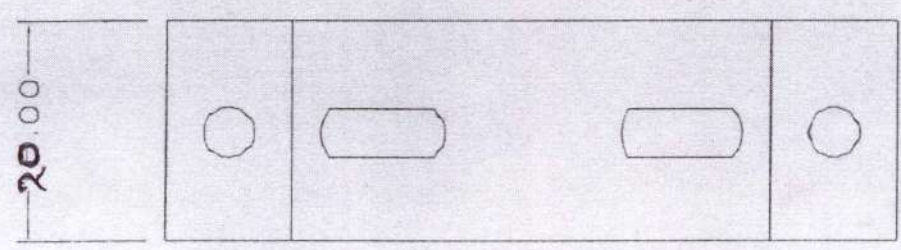
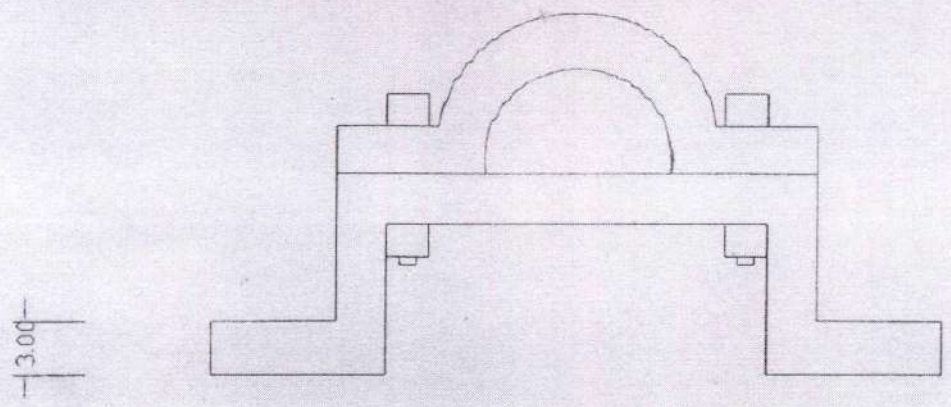
1. FOR CLAMPING TO BRICK WALL USE SUITABLE WALL BRACKETS.
2. TRENCH BACK FILL TO BE FREE FROM STONES OR SHARP OBJECTS OR CARE TO EXERCISED WHEN CONSOLIDATING BACK FILL TO AVIOD DAMAGING PLASTIC PIPE.
3. THIS SKTECH IS INCATIVE AND FINAL LAYING WILL BE ENGINEER-IN-CHARGE

FOR TENDER PURPOSE

drawing no. 2

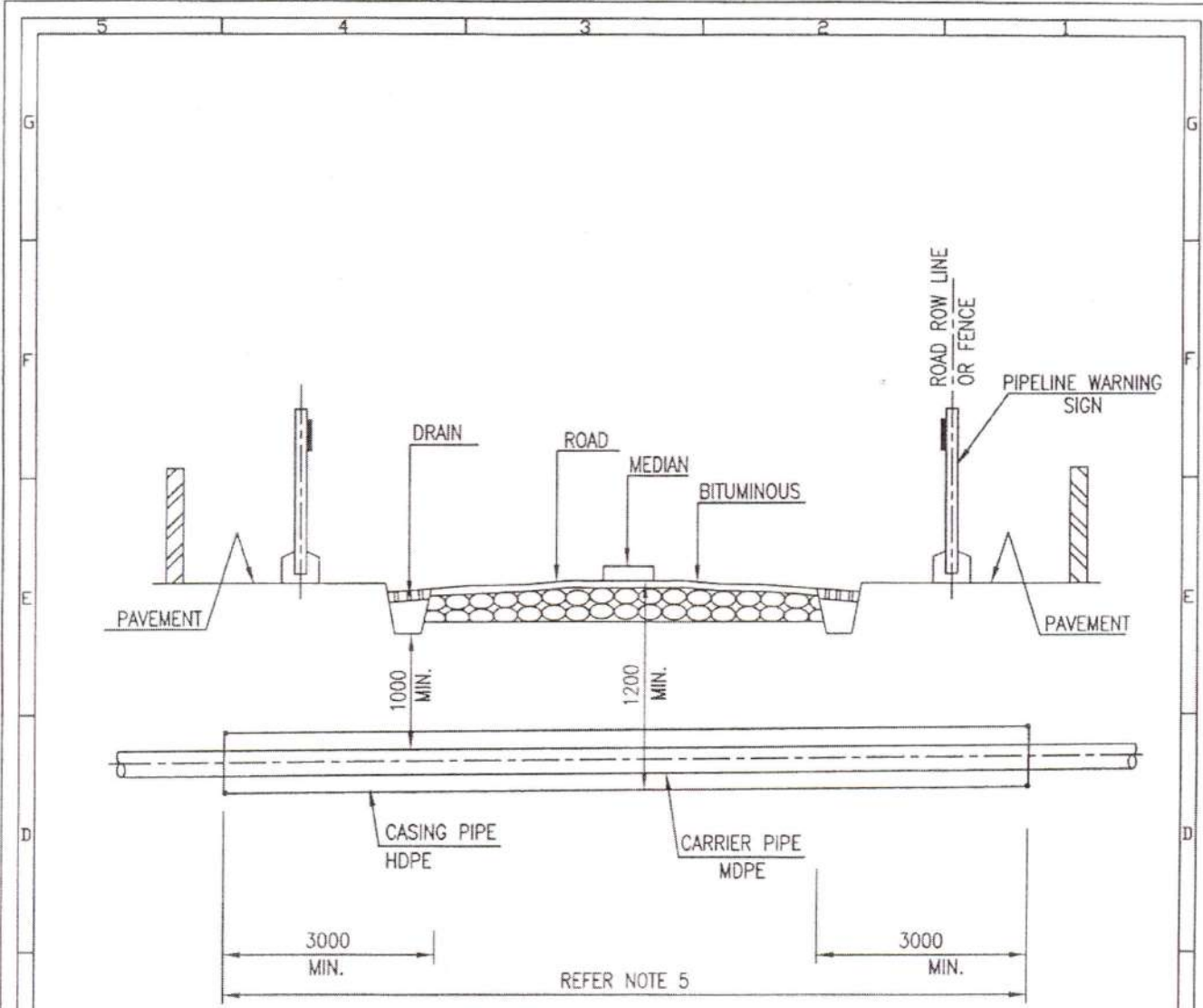
Scheme of medium ^{Low Pressure} service installation

Maharashtra Natural Gas Limited



* All dimension are in mm.

MNGL	GI Clamps(1/2" to 1")
------	-----------------------




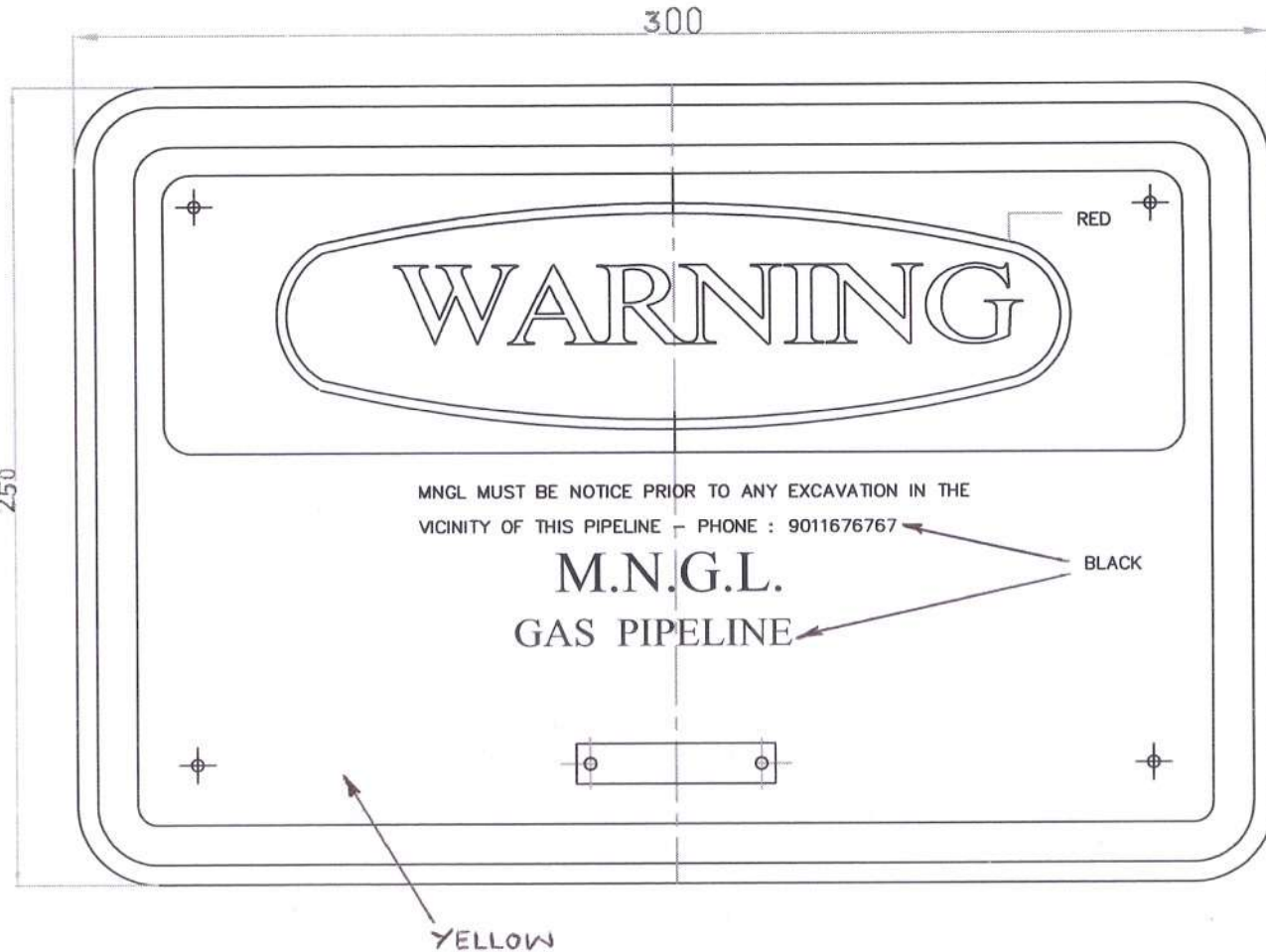
TYPICAL SECTION

NOTES:-

1. ALL DIMENSIONS ARE IN MM. UNLESS SPECIFIED OTHERWISE.
2. ROAD/ HIGHWAY CROSSING SHALL BE RESTORED TO ORIGINAL CONDITION TO THE ENTIRE SATISFACTION OF COMPANY AND CONCERNED AUTHORITIES HAVING JURISDICTION.
3. REFER API RP 1102 FOR OTHER DESIGN AND INSTALLATION REQUIREMENTS.
4. ANGLE OF INTERSECTION BETWEEN PIPELINE AND THE ROAD/ HIGHWAY SHALL BE AS CLOSE TO 90° AS POSSIBLE BUT IN NO CASE LESS THAN 30°.
5. CONTRACTOR SHALL VERIFY THE ACTUAL DIMENSIONS WITH RESPECT TO SURVEY DETAILS FOR EACH ROAD/ HIGHWAY CROSSED AND PREPARE DETAILED DRAWING FOR INDIVIDUAL CROSSING FOR ENGINEER-IN-CHARGE. APPROVAL BEFORE COMMENCEMENT OF CONSTRUCTION.

FOR TENDER PURPOSE

Drawing No.. 4	Road/Highway Cased Crossing For MDPE Pipe	 Maharashtra Natural Gas Limited
----------------	---	--



NOTES :-

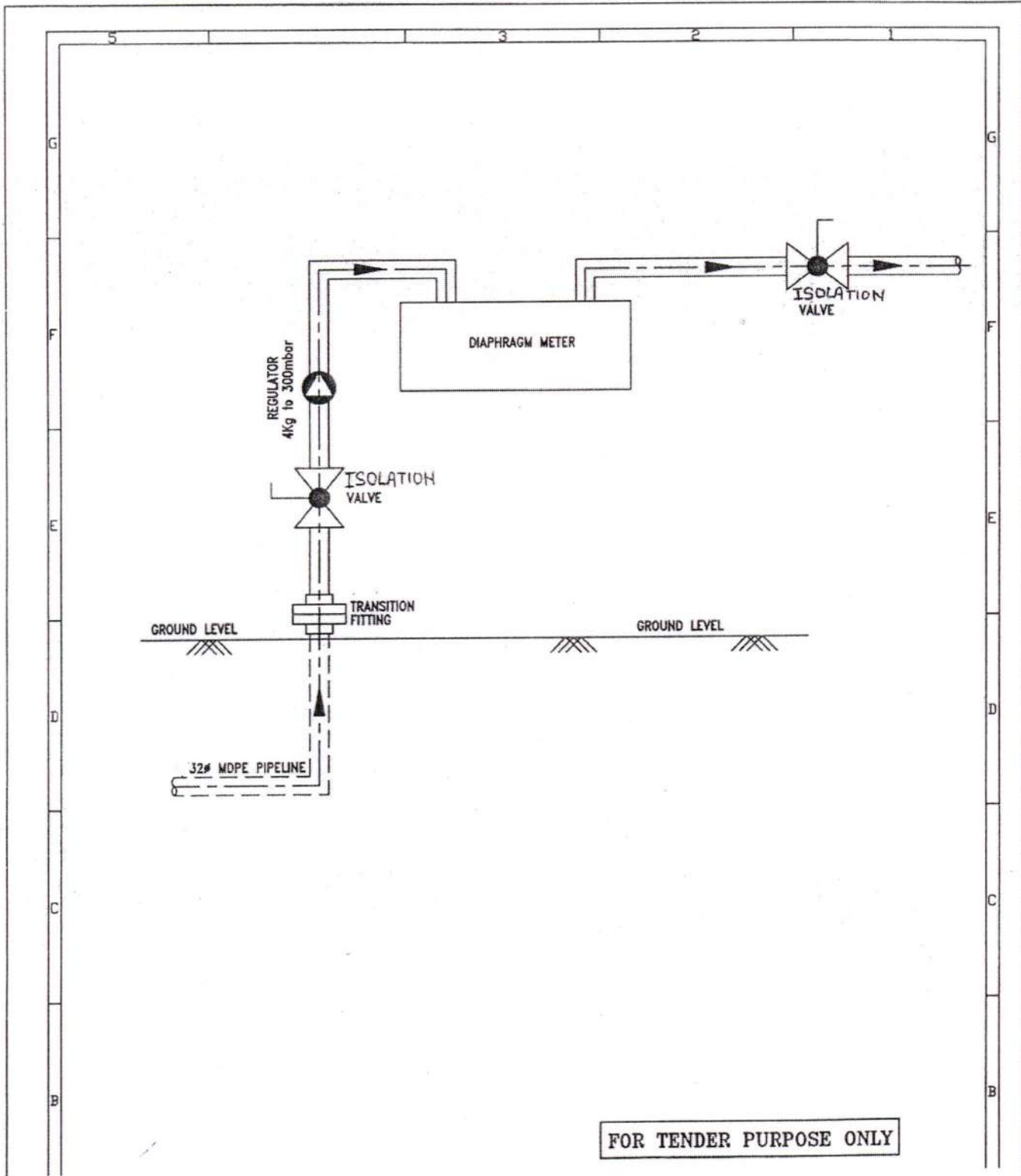
1. THE FULL WORKING AND WILL BE DECIDED BY ENGINEER -IN-CHARGE.
2. SCHEME FOR PAINTING & COLOURING
 - ONE COAT OF PRIMER & TWO COATS OF SPECIFIED COLOUR PAINT.
 - ALL LETTRS EXCEPT WARNING TO BE PAINED BLACK.
3. SIGN PLATE IN REGIONAL LANGUAGE BE PREPARED BY CONTRACTOR AS DECIDED BY ENGINEER-IN-CHARGE.
4. FIXING ON PERMANT STRUCTURE AS DECIDED BY ENGINEER-IN-CHARGE.
5. ALL DIMENSIONS IN MM, UNLESSS OTHERWISE SPECIFIED.
6. 3MM THK G.I. SHEET TO USED AS BASE PLATE.

FOR TENDER PURPOSE

Drawing No.7

Warning plate without foundation

Maharashtra Natural Gas Limited



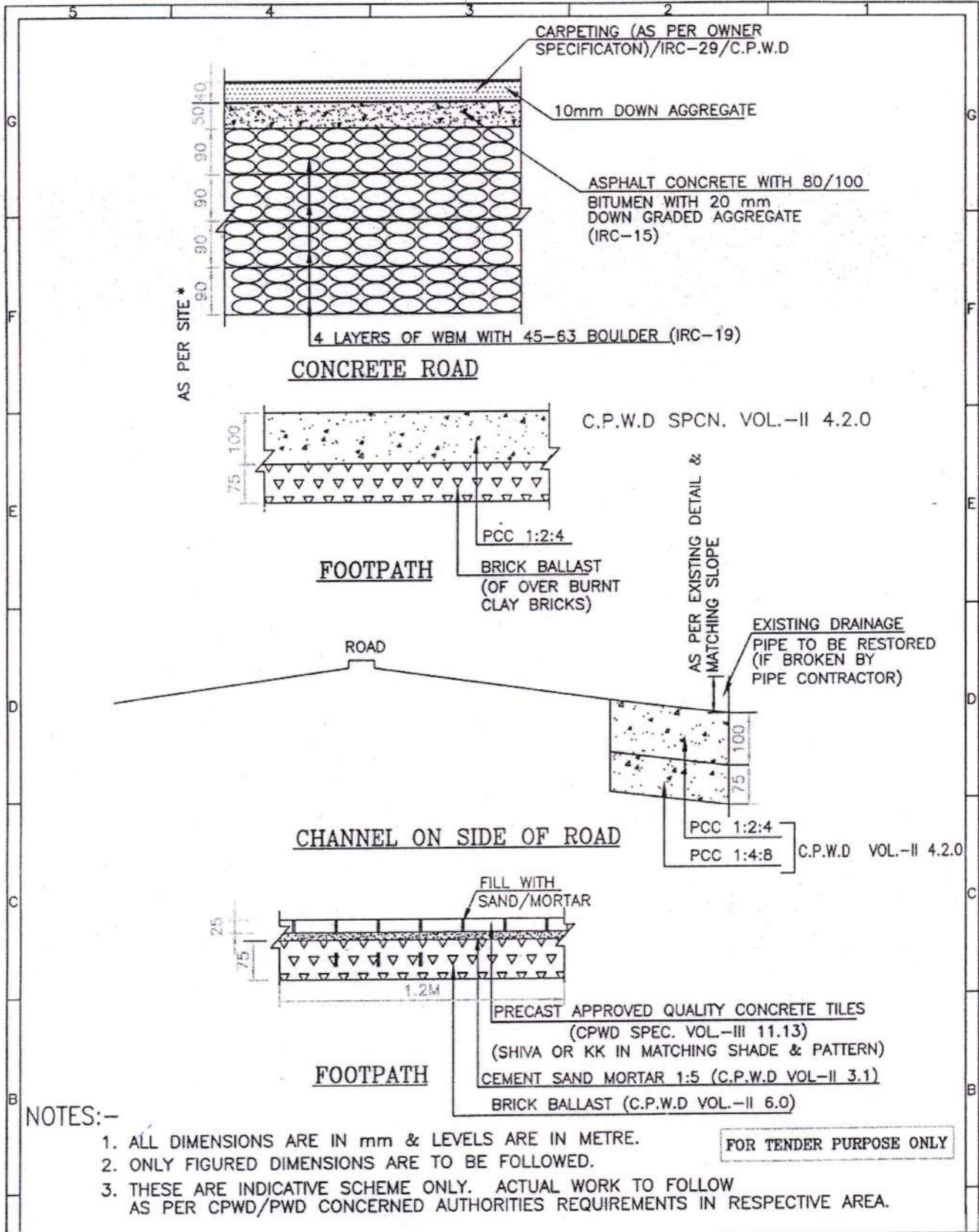
FOR TENDER PURPOSE ONLY

Drawing No.. 8

Commercial connection Scheme
Type I



Maharashtra Natural Gas Limited



NOTES:-

1. ALL DIMENSIONS ARE IN mm & LEVELS ARE IN METRE.
2. ONLY FIGURED DIMENSIONS ARE TO BE FOLLOWED.
3. THESE ARE INDICATIVE SCHEME ONLY. ACTUAL WORK TO FOLLOW AS PER CPWD/PWD CONCERNED AUTHORITIES REQUIREMENTS IN RESPECTIVE AREA.

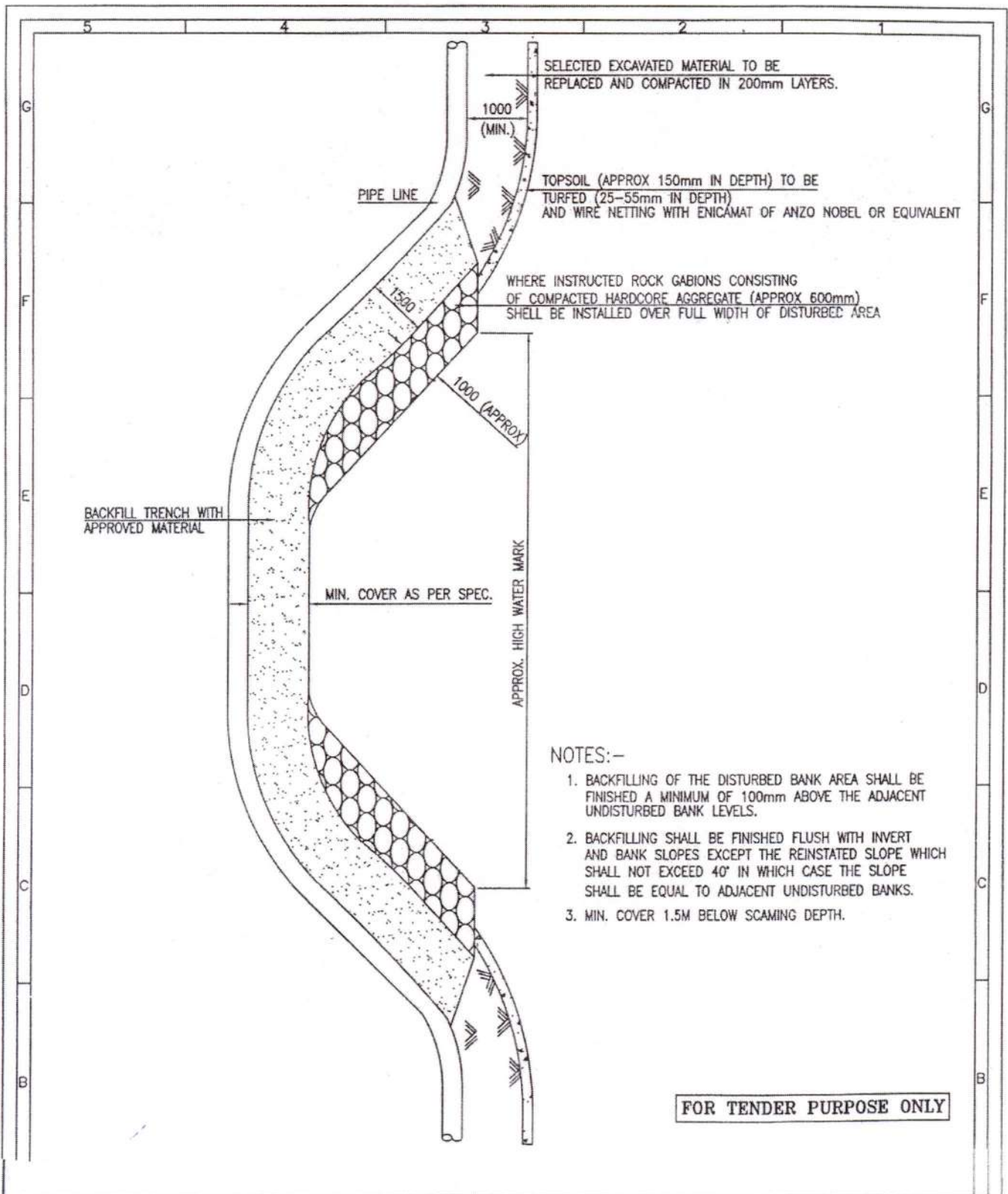
FOR TENDER PURPOSE ONLY

Drawing No.. ||

Restoration Of Roads, Footpath,
Channel



Maharashtra Natural Gas Limited

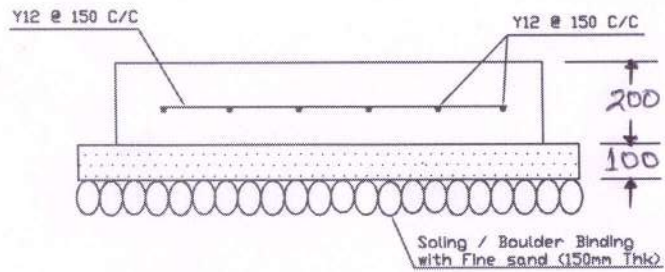


Drawing No.. 12

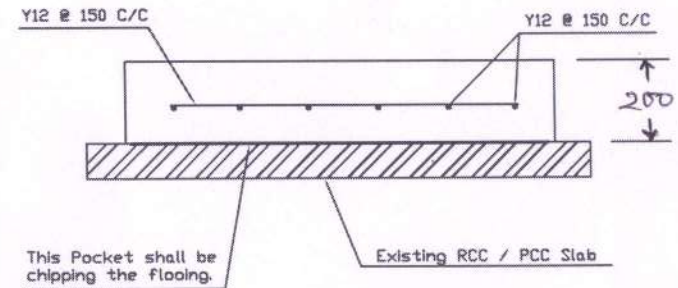
Std.Detail of Backfill For drain Crossing



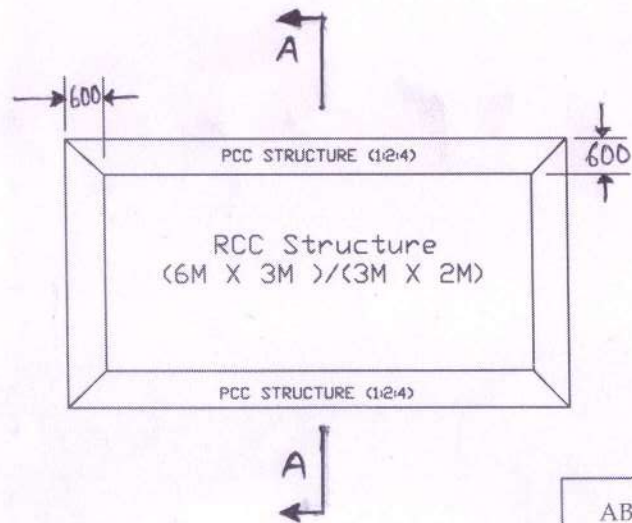
Maharashtra Natural Gas Limited



SECTION A-A
(FOR UNPAVED AREA)



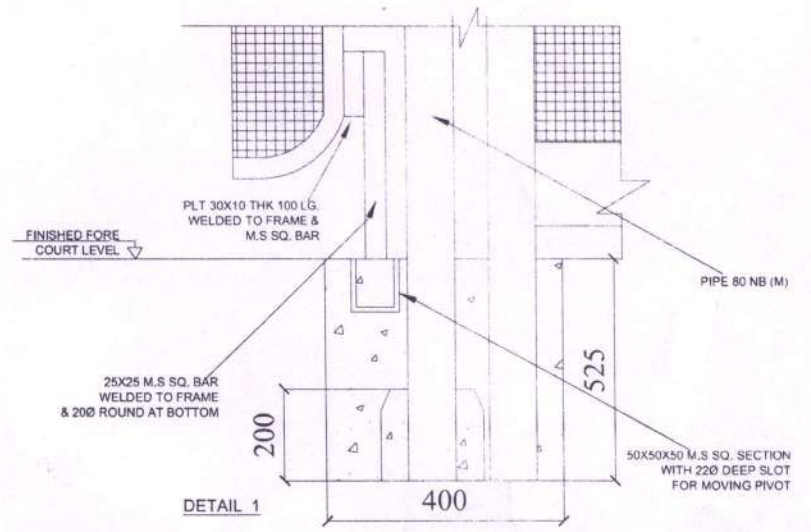
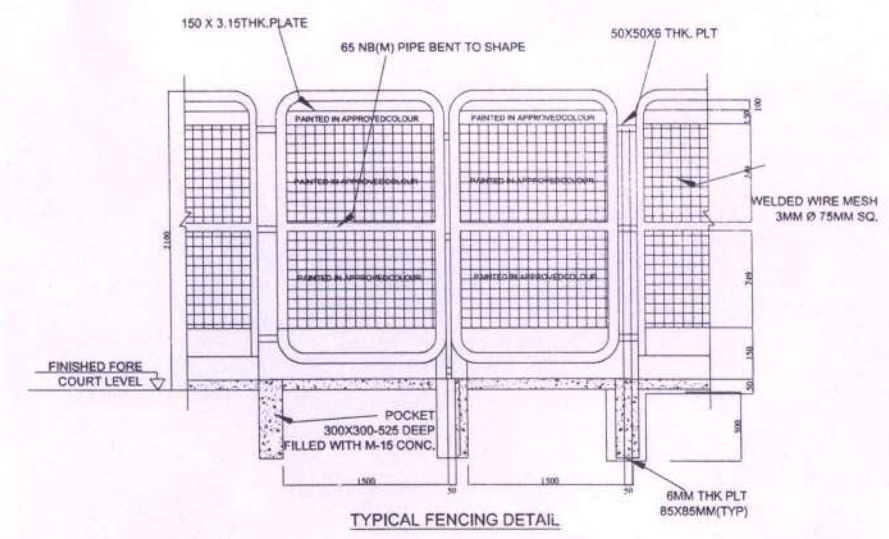
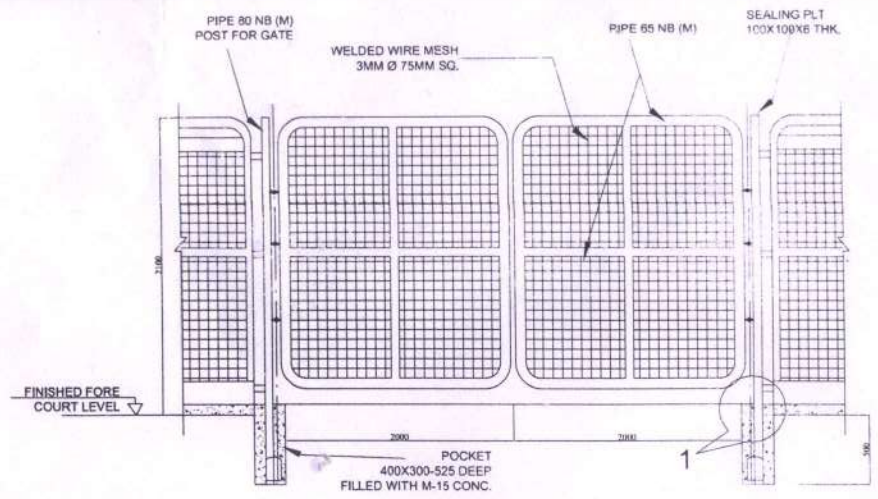
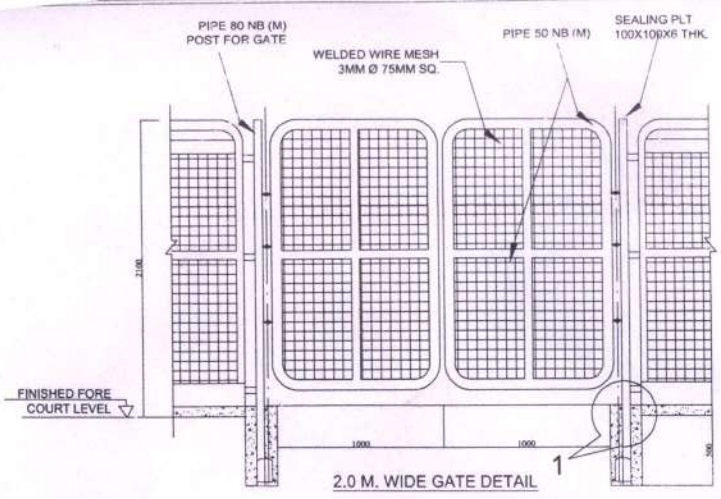
SECTION A-A
(FOR PAVED AREA)



ABOVE GROUND RCC FOUNDATION DRAWING OF MRS / DRS

NOTE :

- 1) ALL DIMENSIONS ARE IN MM.
- 2) DO NOT SCALE THE DRAWING.
- 3) GRADE OF CONCRETE SHALL BE M - 15
- 4) REINFORCED CEMENT CONCRETE SHALL BE M20 WITH 12MM.



TITLE:- TYPICAL DETAIL OF GATE & FENCING (2100 MM HIGH) <i>DRA. NO: MNGL/PNG/DN-16</i>	DSGN:	CHKD. & VERIFIED:	 MAHARASTRA NATURAL GAS LIMITED	NORTH
	DRWN:	APPROVED:		CNG & CITY GAS DISTRUBUTION NETWORK PUNE

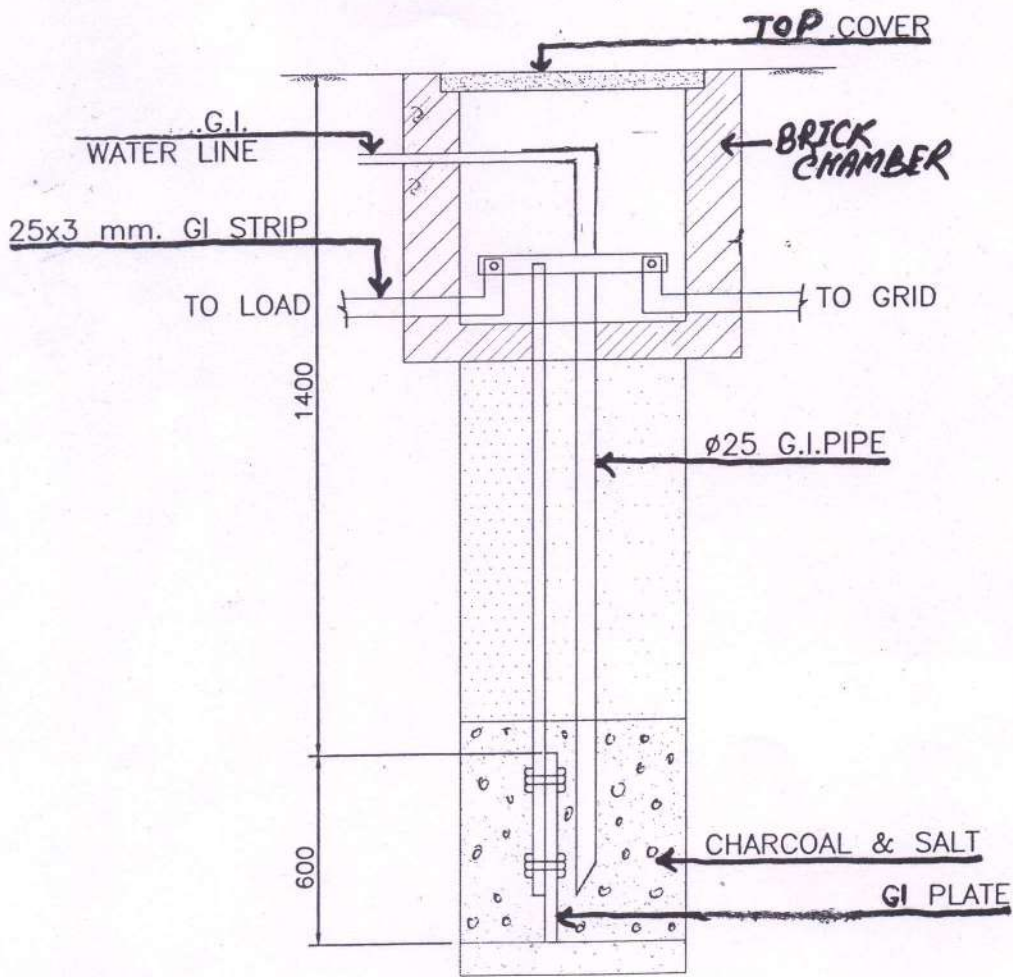
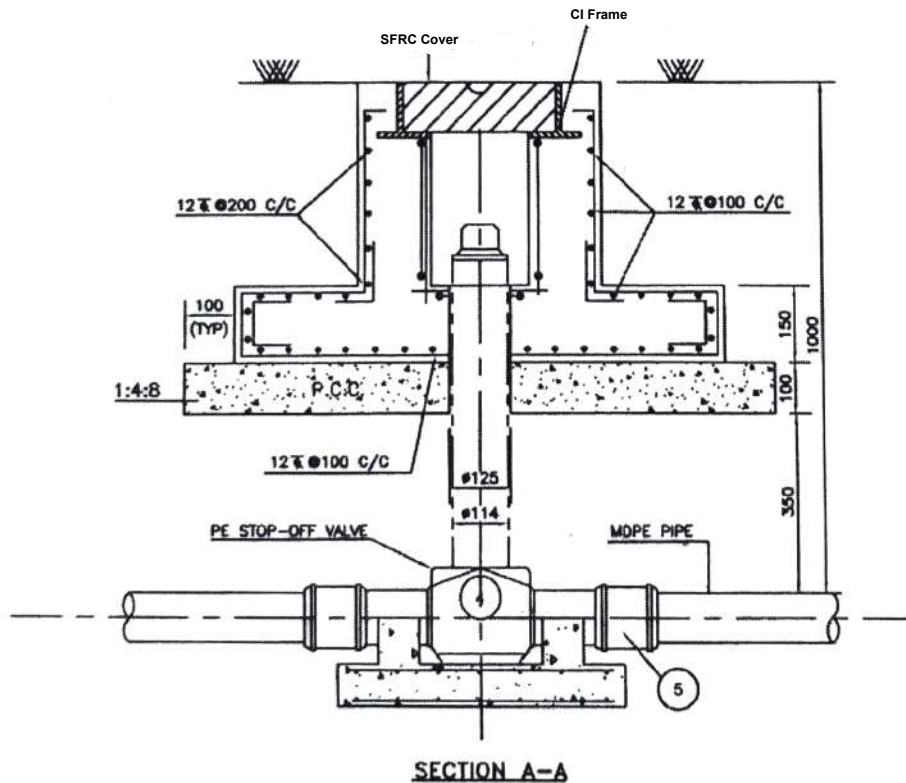
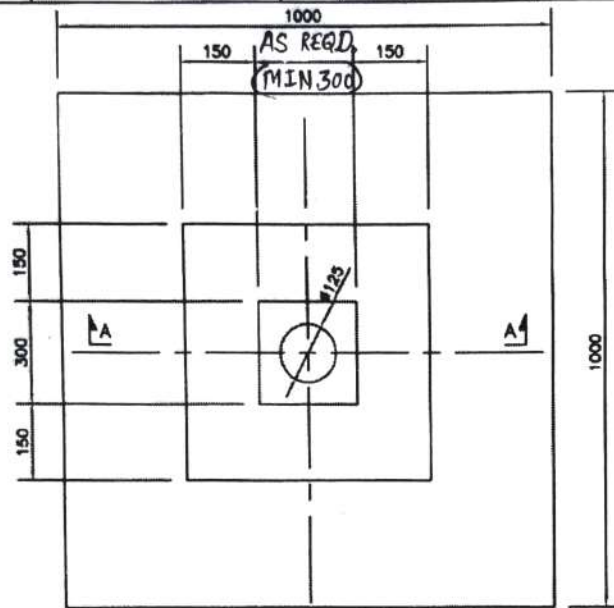


PLATE EARTHING PIT

DRAWING NO: MNG/ING/DX-15

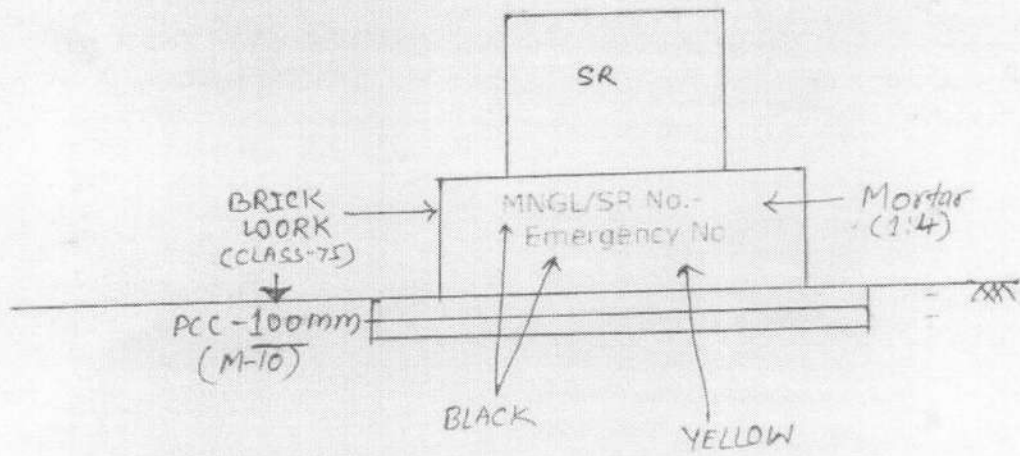


SECTION A-A

NOTES -

1. ALL DIMENSIONS ARE IN MM.
2. THE CONCRETE SHALL HAVE A CHARACTERISTIC STRENGTH OF 20 N/MM²
3. THE COVER FOR REINFORCEMENT SHALL BE 50 MM ON OUTER FACES AND 50 MM ON INNER FACE.
4. THE SFRC COVER SHALL HAVE REINFORCED CONCRETE OF GRADE M-35 CONFORMING TO IS:456-1978.
5. DEBRIS BACKFILL TO BE REMOVED & GOOD EARTH TO BE FILLED IN AREA OF 1.5 M x 1.5 M WITH PROPER COMPACTION AND CONSOLIDATION BY WATER.
6. GASKET OF RUBBER OR ANY OTHER EQUIVALENT MATERIAL OF MATCHING DIMENSIONS SHALL BE SUPPLIED & USED BY THE CONTRACTOR TO PREVENT INGRESS OF WATER INTO THE VALVE PIT.
7. 75mm THICK PCC(1:2:4) OF DIMENSION 300mm X 300mm FOR VALVE OF SIZES FROM 63mm TO 125mm SHOULD BE PROVIDED FOR SUPPORTING THE PE STOP OFF VALVE AT THE BASE.
8. RUBBER SHEET OF MIN. 6mm THICK SHOULD BE PROVIDED BETWEEN BASE OF THE VALVE AND PCC TOP SURFACE.
9. Dimensions (Length X Width) of SFRC Cover-
 - a) With Purge SOV- 600 mm X 600 mm
 - b) No Purge SOV- 300 mm X 300 mm

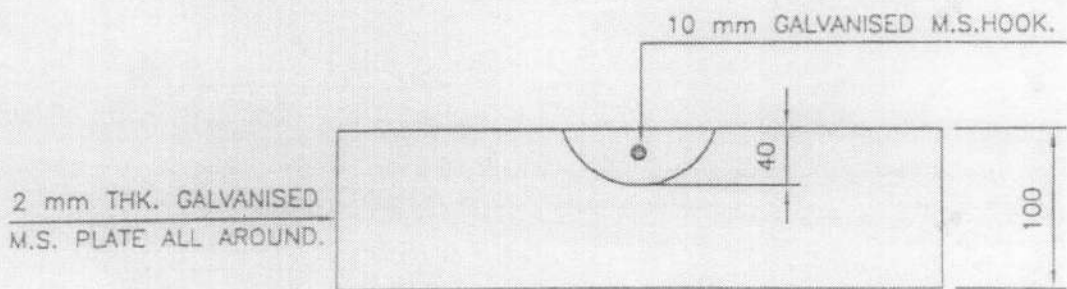
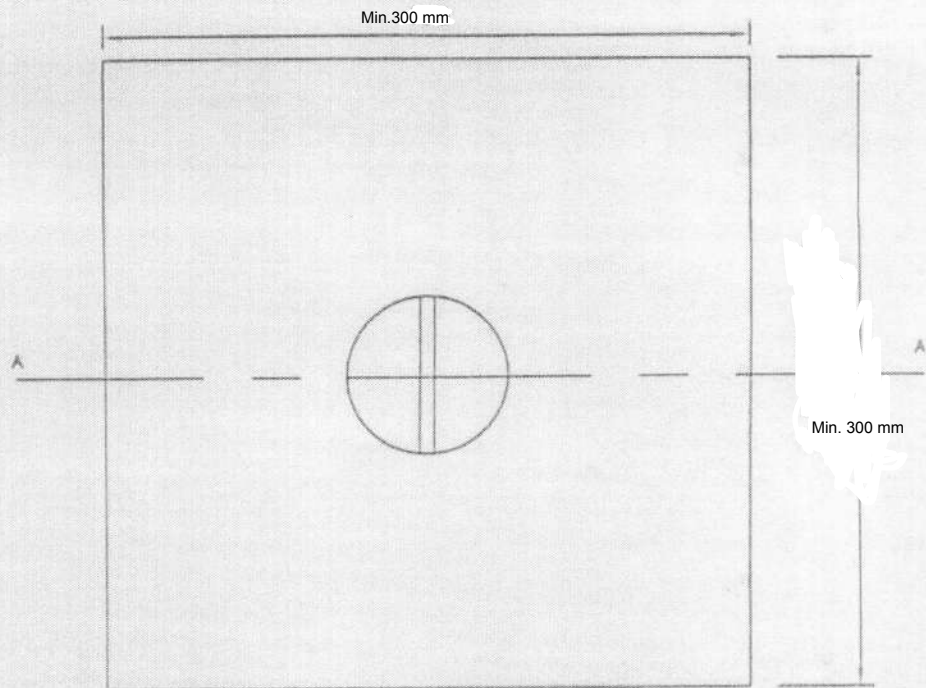
MAHARASHTRA NATURAL GAS LIMITED			
DRAWN BY PLNG	DATE 06/05/04	TITLE - RCC PIT FOR PE STOP-OFF VALVE(63 TO 125 mm)	
CHECKED BY	DATE		
APPROD. BY	DATE	DRAWING NO: MNL/ENG/CIVIL/10A	REV. 0



SR INSTALLATION

THIS PRINT IS THE PROPERTY OF MAHARASHTRA NATURAL GAS LTD. IT IS TO BE USED ONLY FOR THE PURPOSE FOR WHICH IT WAS LEFT AND MUST NOT BE USED IN ANY WAY DEPARTMENTAL TO THE INTEREST OF THIS COMPANY AND IS SUBJECT TO RETURN ON DEMAND.

PLANNING.	REV NO.	DATE.	DESCRIPTION	BY.	CHK.	APPR.
	0	06.05.04			PLNG	



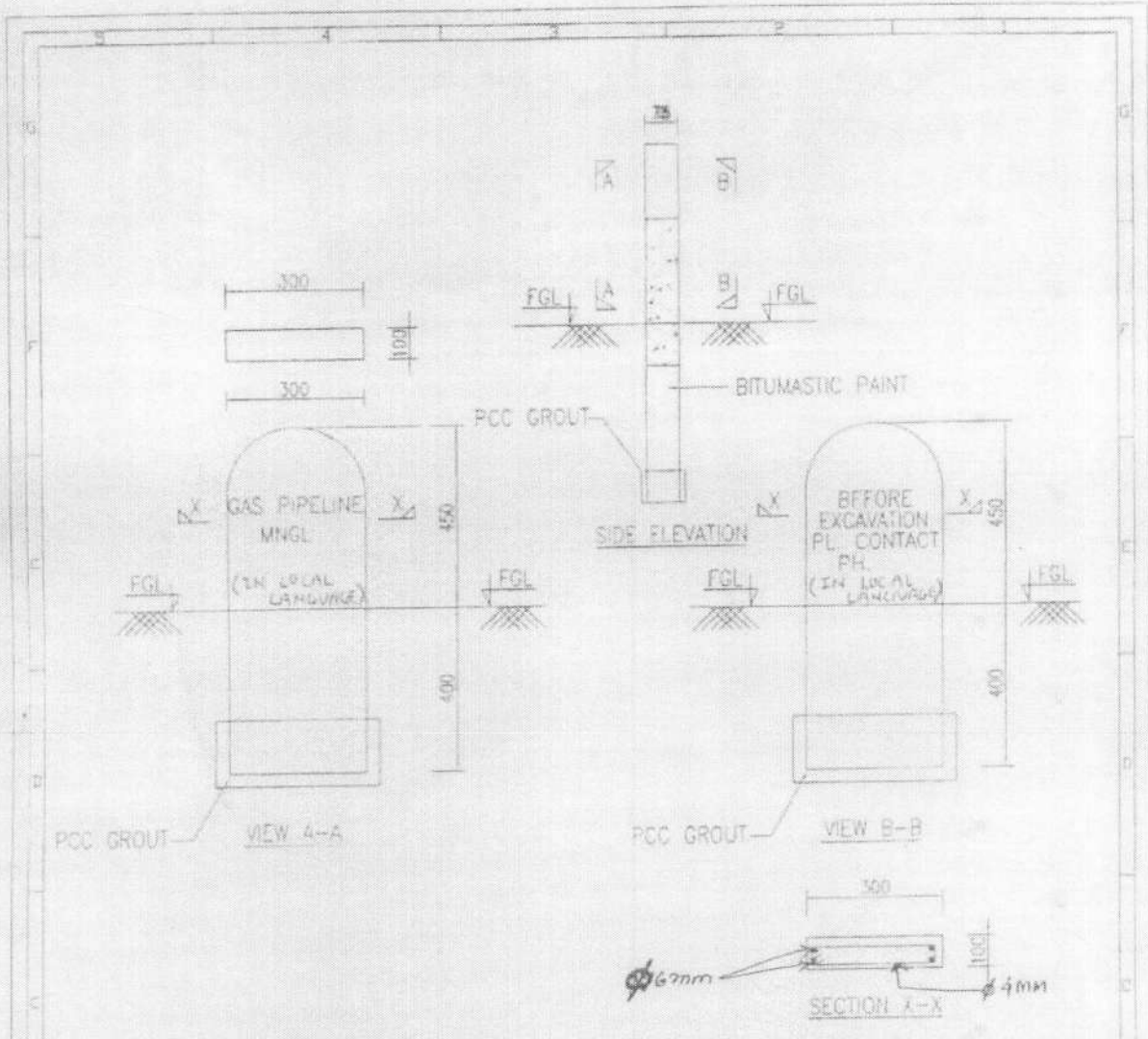
SECTION A-A

NOTE:-

1. ALL DIMENSIONS ARE IN MM.
2. THE SFRC COVER SHALL HAVE REINFORCED CONCRETE OF GRADE M-35 CONFORMING TO IS:456-1978.
3. HEAVY LOAD TEST : SUITABLE FOR 'A' CLASS LOADING
4. PERFORMANCE REQUIREMENTS-
 - a) SAMPLING AND CRITERIA FOR CONFORMITY: AS PER IS:12592 (Part-1) - 1998
 - b) LOAD TEST: AS PER IS:12592 (Part-1) - 1998
 - c) INSPECTION AND MANUFACTURES GUARANTEE : AS PER IS:12592 (Part-1) - 1998

NOT TO SCALE

MAHARASHTRA NATURAL GAS LIMITED	TITLE :	COVER FOR PE STOP OFF VALVE PIT.	DRAWING NO:	REV.
			MNGL/ENG/CIVIL/100	0



1. ALL DIMENSION ARE IN MM UNLESS OTHERWISE SPECIFIED.
2. MARKERS SHALL BE INSTALLED IN EVERY 50M INTERVAL AS PER INSTRUCTION OF GGL NECON.
3. ALL MARKERS SHALL BE PRECAST & INSCRIPTIONS SHALL BE ENGRAVED 5MM DEEP IN THE MOULD ON BOTH FACE.
4. LETTER'S SIZE SHALL BE AS SHOWN ABOVE.
5. CONCRETE FOR MARKER SHALL BE M-20.
6. Bar Count for $\phi 6mm$ is 4 NO'S and for $\phi 4mm$ it is 5 NO'S.

FOR TENDER PURPOSE ONLY

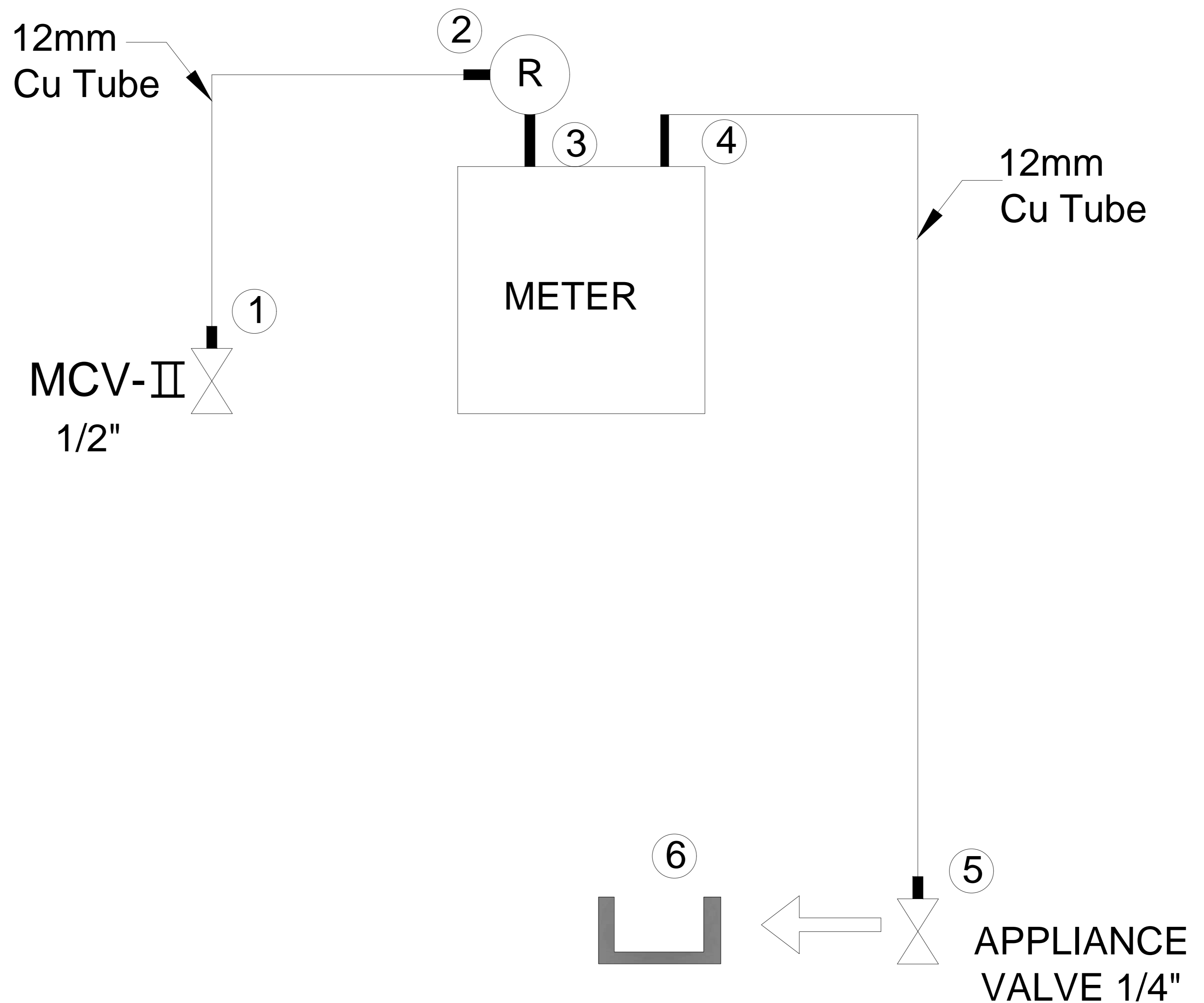
Drawing No 5

Typical Detail of Marker



Maharashtra Natural Gas Limited

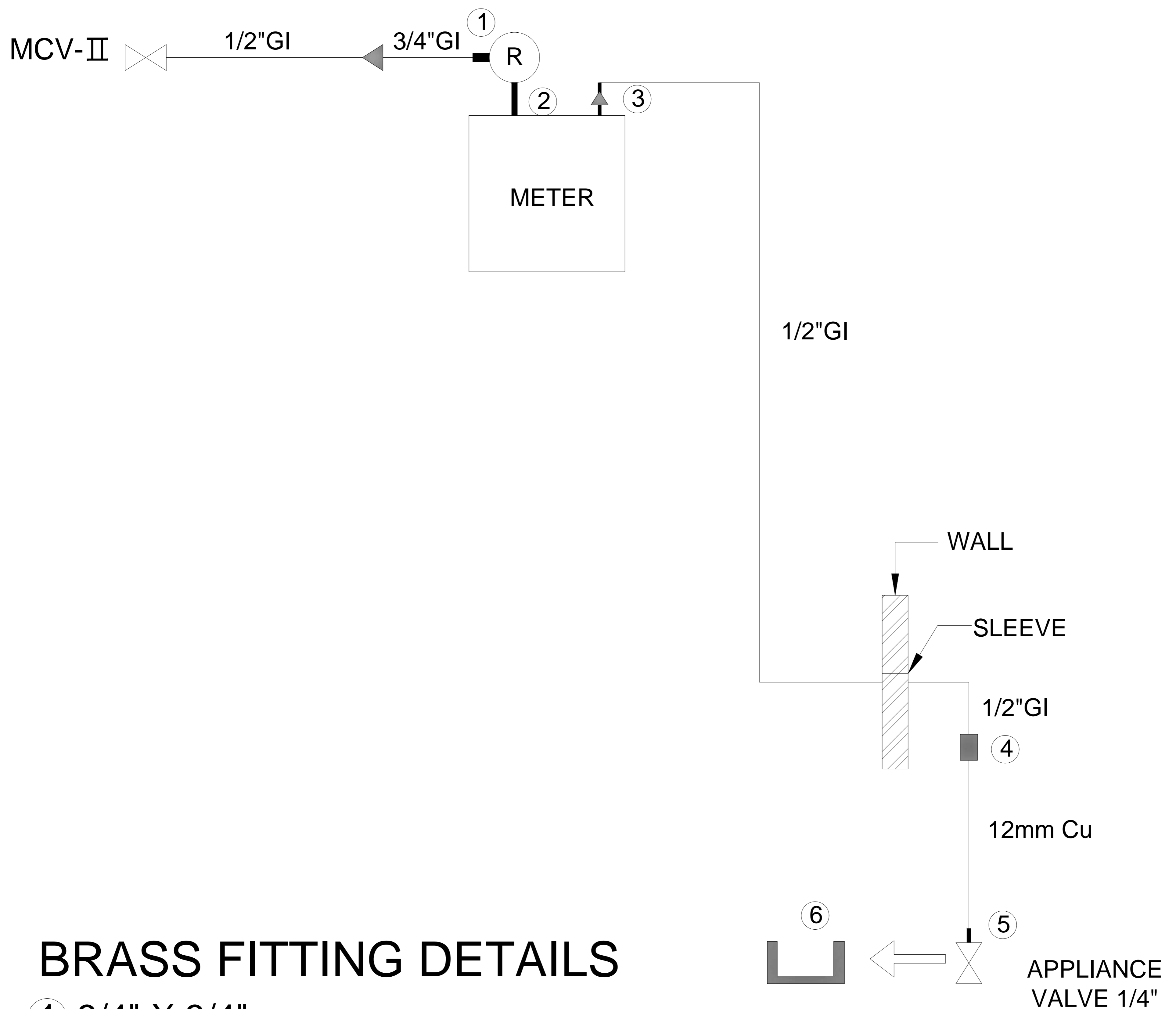
D - PNG METER WITH Cu



BRASS FITTING DETAILS

- ① 1/2" X 12mm
- ② 12mm X 3/4"
- ③ 3/4" X 3/4"
- ④ 3/4" X 12mm
- ⑤ 12mm X 1/4"
- ⑥ 12mm end plug

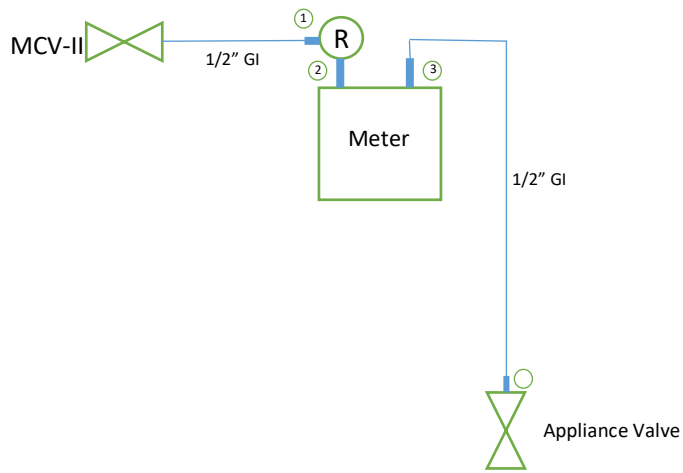
D - PNG METER WITH GI AND Cu



BRASS FITTING DETAILS

- ① 3/4" X 3/4"
- ② 3/4" X 3/4"
- ③ 3/4" X 3/4"
- ④ 1/2" X 12mm CONNECTOR
- ⑤ 12mm X 1/4"
- ⑥ 12mm end plug

D-PNG Meter Installation with GI



1. 1/2" X 3/4" Brass Adaptor
2. 3/4" X 3/4" Brass Adaptor
3. 1/2" X 3/4" Brass Adaptor